



INSTRUCTIONS FOR:
SATELLITE END SQUARE 18
SATELLITE END ROUND 18
SATELLITE END SQUARE 26
SATELLITE END ROUND 26
MILK STOOL

ASSEMBLY INSTRUCTIONS & PRODUCT INFO

SATELLITE END TABLE & MILK STOOL



Loll Designs
1325 North 59th Avenue West
Duluth, Minnesota 55807

loll designs.com | 877.740.3387

ASSEMBLY TIPS

To avoid damaging furniture perform the assembly of your Loll furniture on a clean soft surface like a blanket, carpet, or the flattened cardboard box the furniture was shipped in. Components should not be unnecessarily forced together! Plastic is flexible and you may need to persuade the pieces to align them properly. If it seems something isn't fitting together you likely have it wrong and you should reread the instructions to ensure you are aligning the proper components. You can also contact your Loll Sales Associate or Customer Service for support at 877.740.3387.

Don't Use a Cordless Screw Gun: It is not necessary and we do not recommend using a screw gun or drill to install and tighten bolts in inserts. Finger tighten all bolts first and then use the Allen Tool provided to finish tightening all bolts after the piece is assembled.

**** Please Recycle the BOX and paper packaging.**

DAMAGED PRODUCT

Sometimes accidents occur. Please inspect your Loll furniture when you receive it to make sure that it has not been damaged during shipping. If damage has occurred please take digital pictures of the damaged furniture and the box it was shipped in, and email them to sales@loll designs.com or call using our toll free number: 877.740.3387, ext. 1. The damage will be assessed and you will be contacted with a solution to the problem. It may be helpful to save all of your packaging material in case a return is necessary.

PRODUCT CARE

Your new Loll furniture is a no maintenance product. It is fade resistant and you'll never need to paint or stain it and it can be left outside all year regardless of the season. It will not rot, even if left standing in water; it's plastic. Nonetheless, we're pretty sure your Loll furniture will get a lot of use and will at some point need cleaning. We recommend a garden hose and incorporating a soft bristle brush. Adding a tablespoon or two of your favorite eco- friendly soap to the wash will get everything squeaky clean! Mineral deposits left over from hard water can be removed with a solution of vinegar and water.

5 YR WARRANTY

Loll Designs strives to build long-term relationships based on confidence and trust with our customers. We sit beside, on top, and beneath the quality of our fine furniture and will make things right if you are not completely satisfied with your purchase. Loll Designs hereby guarantees that the piece will be of good quality and workmanship, free from faults and defects. Loll warrants that all components will not fade or fail, under normal use, for five years from the year mark on the piece or the date of purchase.

*For commercial orders the warranty is three years.



1% FOR THE PLANET

Besides halting the path of perfectly reusable material on its way to the landfill, with your purchase of Loll Designs furniture you've also contributed to helping our environment through 1% For the Planet. 1% For the Planet is an alliance of companies that donate 1% of their gross sales to qualifying and approved environmental organizations. Since its launch in 2001, 1% For the Planet has grown to include nearly 700 corporate members worldwide. For more information visit the 1% For the Planet website (www.onepercentfortheplanet.org). Loll is member #610.



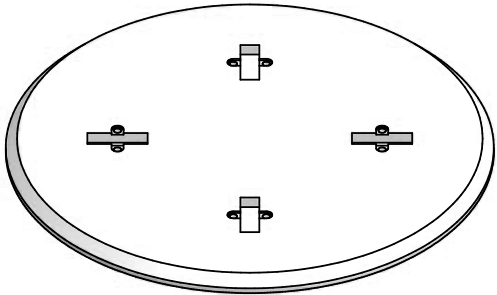
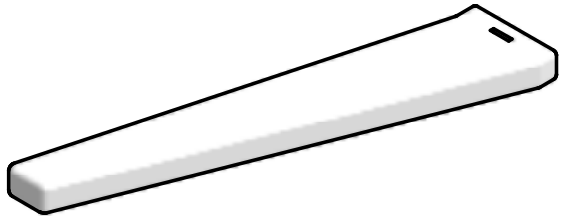
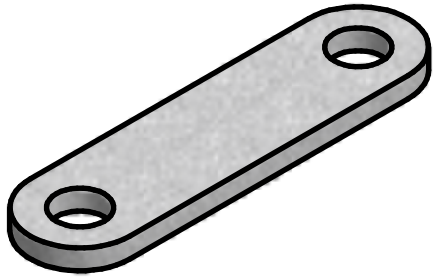
Member #610

INCLUDED HARDWARE

| 1/2" PAN HEAD BOLT | COUNT | | 5/32" ALLEN WRENCH | COUNT |
|---|----------------|---|--------------------|-------|
| | 6 | 8 | | 1 |
| | 18" Rnd & Milk | 18" Sq & 26" | | |
|  | |  | | |



INCLUDED PARTS

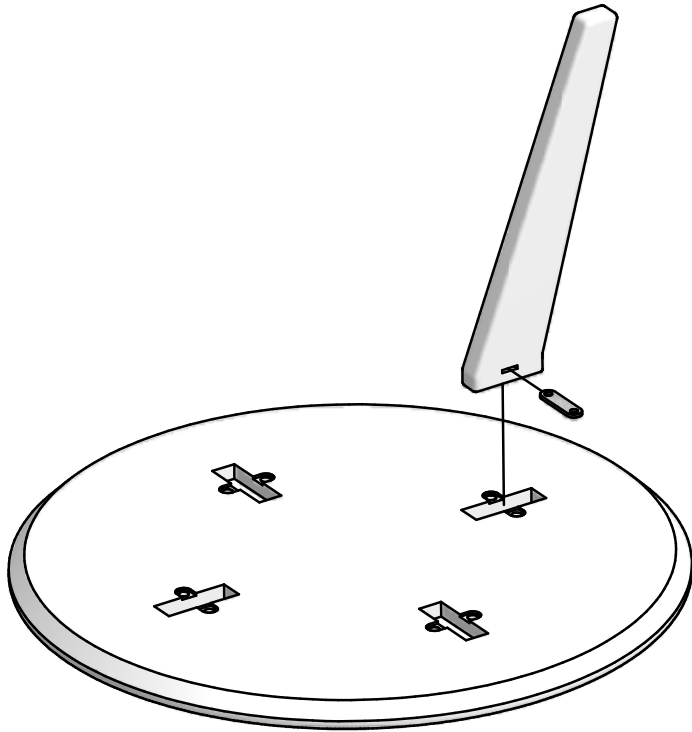
| TABLE TOP | COUNT | TABLE LEG | COUNT | COUNT | MICRO BLOCK | COUNT | COUNT |
|---|----------------|--|----------------|---|-------------|----------------|--------------|
| | 1 | | 3 | 4 | | 3 | 4 |
| | 18" Rnd & Milk | | 18" Rnd & Milk | 18" Sq & 26" | | 18" Rnd & Milk | 18" Sq & 26" |
|  | |  | |  | | | |
| <p>18" Round and Milk Stool have only 3 leg locations</p> | | | | | | | |

ASSEMBLY INSTRUCTIONS

* It is very important that you finger tighten all bolts into inserts to ensure that you do not cross-thread bolts and inserts before tightening. It will also be easier if you wait to tighten bolts until you have all bolts installed and the piece completely assembled. This will allow for more movement of individual pieces and help in aligning holes with inserts. Use the Allen Tool provided to finish tighten bolt until snug.

1

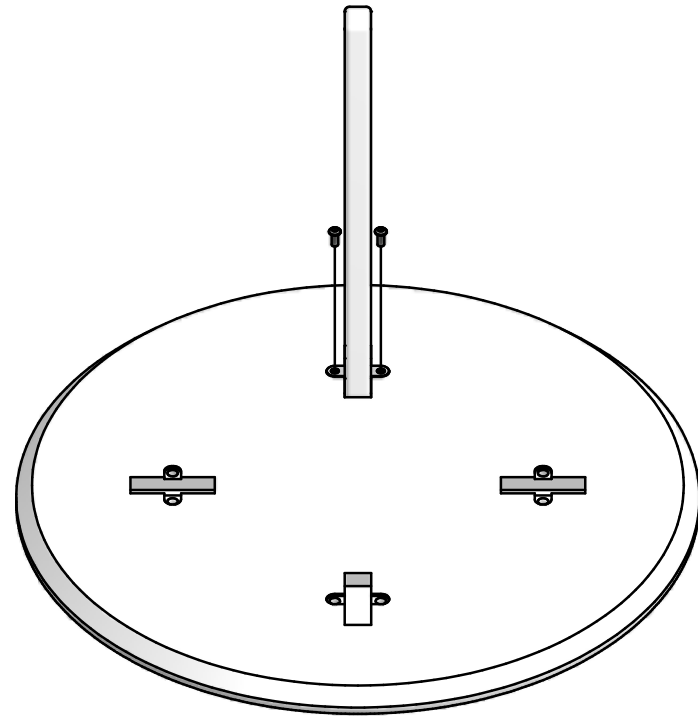
ATTACH LEGS



*Please read **Assembly Tips** before beginning assembly.
Insert Micro Block through hole in Table Leg. Place Table Leg and block into Table Top cut out.

2

TIGHTEN LEGS



Insert Bolts through block into Table Top and hand thread in. Repeat Step 1 & 2 to attach remaining legs. Use provided Allen Wrench to securely tighten all bolts.